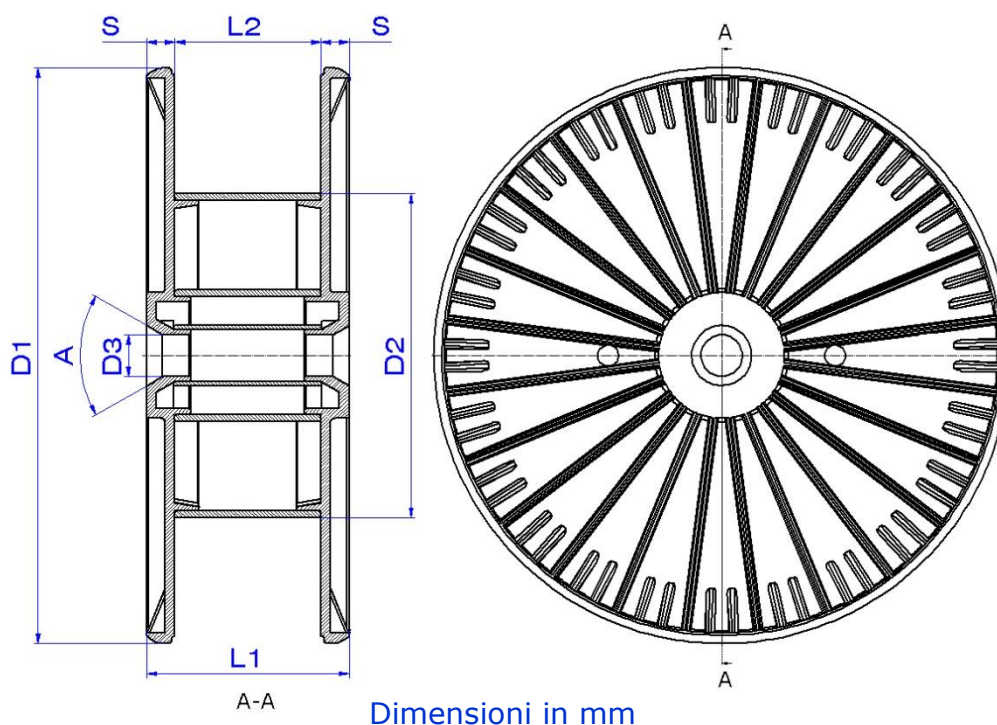


BOBINE VM



Dimensioni in mm

TIPO	D1	D2	D3	A	L1	L2	S
VM560	560	280	36/42/80/127	60°	130 - 580	80 - 530	25
VM630	630	315	40/42/51/80/127	60°	160 - 730	110 - 680	25
VM630	630	400	40/42/51/80/127	60°	150 - 640	120 - 590	25
VM710	710	280	51/80	60°	150 - 500	80 - 430	35
VM710	710	400	51/80	60°	170 - 660	100 - 590	35
VM710	710	500	51/80	60°	190 - 480	120 - 410	35
VM710	710	280	127	45°	150 - 500	80 - 430	35
VM710	710	400	127	45°	170 - 660	100 - 590	35
VM710	710	500	127	45°	190 - 480	120 - 410	35
VM750	750	315	42/43/45/56/80/82/91/127	60°	180 - 750	110 - 680	35
VM750	750	400	42/43/45/56/80/82/91/127	60	170 - 660	100 - 590	35
VM800	800	400	41/45/52/80/127	60°	170 - 660	100 - 590	35
VM800	800	450	41/45/52/80/127	60°	190 - 440	120 - 370	35
VM800	800	630	41/45/52/80/127	60°	150 - 630	80 - 560	35
VM1000	1000	630	45/91/127	60°	210 - 650	140 - 580	35