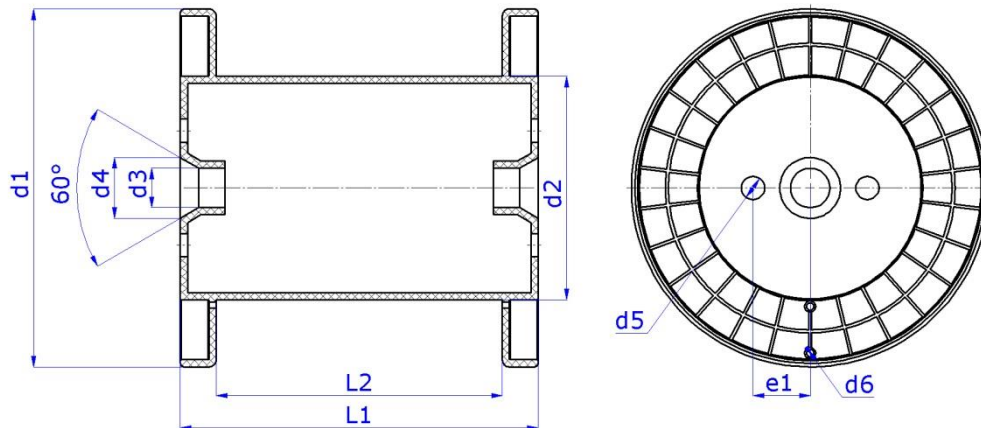


ROCCHETTI A TAMBURO CILINDRICO IN MATERIALE TERMOPLASTICO NORME DIN 46399. IEC 264-2-1



Dimensioni in mm

DIN	COD.	d1	d2	d3	d4	d5	d6	e1	l1	l2	TARA Gr. PS,ABS
100-E	R101/L	100	63	16 ^{+0,2}	24	7	2	20	100	80	90 ± 1%
125-E	R102/L	125	80	16 ^{+0,2}	24	7	3	20	125	100	150 ± 2%
160-E	R103/L	160	100	22 ^{+0,2}	34	13	3	32	160	128	250 ± 2%
200-E	R104/L	200	125	22 ^{+0,2}	34	13	3	32	200	160	450 ± 2%
200-E/36	R104/L36	200	125	36 ^{+0,5}	42	13	3	32	200	160	450 ± 2%
250-E	R105/L	250	160	22 ^{+0,2}	34	13	4	32	200	160	800 ± 2%
250-E/36	R105/L36	250	160	36 ^{+0,5}	42	13	4	32	200	160	800 ± 2%
500-E	R232	500	315	36 ^{+0,5}	60	26	6	80	250	180	4600 ± 2%

Rev.	Data
1.1	12/04/19