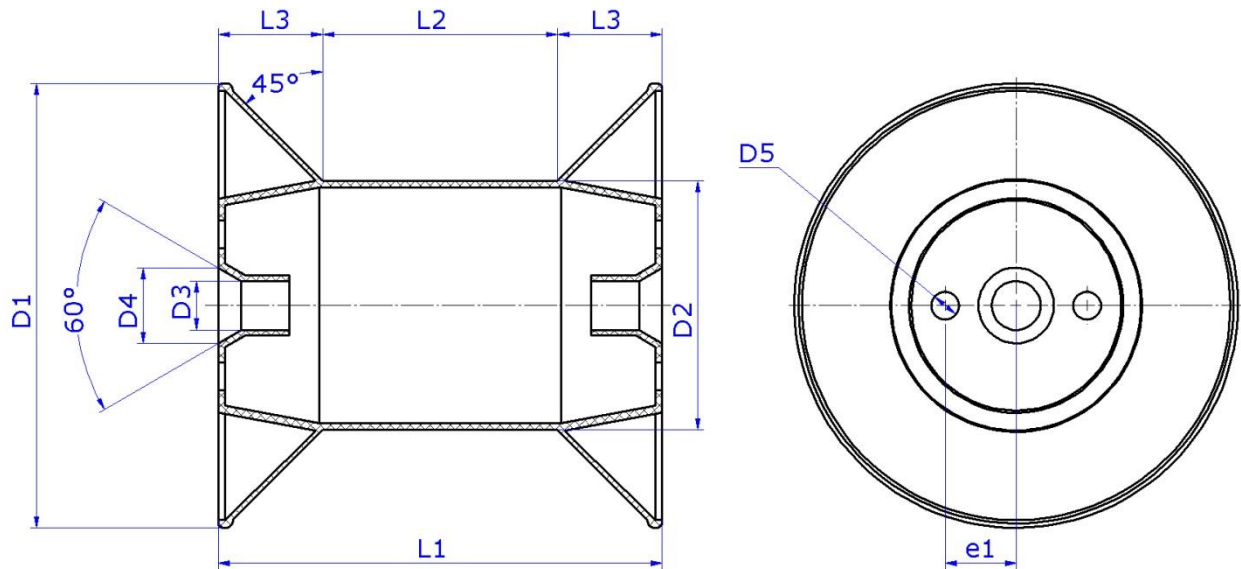


## BOBINE CON FLANGE CONICHE NORME IEC 264-5-1



Dimensioni in mm

DIN	COD.	D1	D2	D3	D4	D5	e1	L1	L2	L3	PESO IN Gr.	MATERIALE
HKV125	R181	125	71	16 <sub>+0,2</sub>	24	7	20	125	65	30	160±2%	PS,ABS
HKV160	R219	160	90	22 <sub>+0,2</sub>	34	13	32	160	85	37,5	315±2%	PS,ABS
HKV200	R184	200	112	22 <sub>+0,2</sub>	34	13	32	200	106	47	575±2%	PS,ABS
HKV250	R182	250	140	22 <sub>+0,2</sub>	34	13	32	250	133	58,5	975±2%	PS,ABS

Rev.	Data
1.0	03/04/20